

Features

- Unmatched Low Cost
- Low insertion Loss
- High Channel Isolation
- High Stability, High Reliability
- Epoxy-free on Optical Path
- Latching or Non-latching

4x4 Mechanical Optical Switch

Applications

- Optical Network
- Protection/Restoration
- Optical Singnal Routing
- Configurable Optical Add/Drop
- Transmitter and receiver protection
- Network Test System

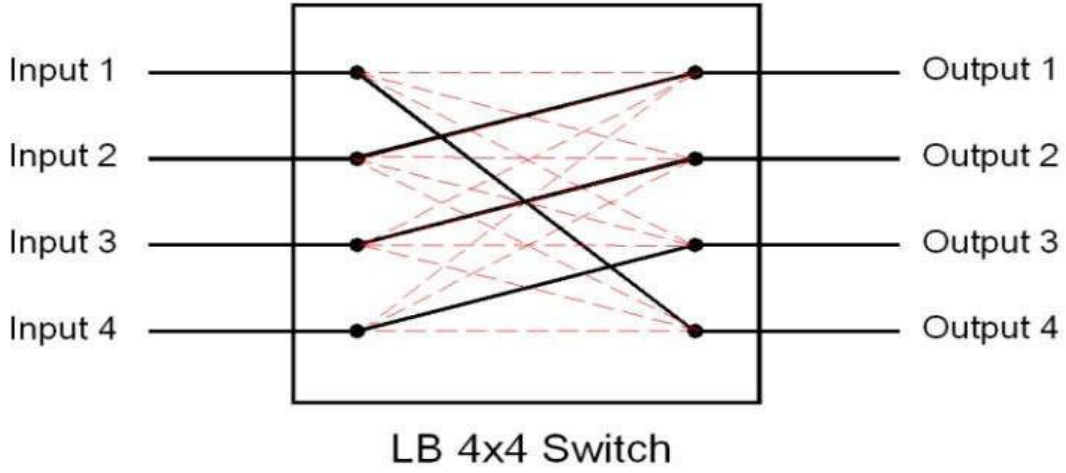
Performance

Parameters		GZ-FSW-4x4
Operating Wavelength	nm	1260~1620(SM)、850(MM)
Insertion Loss	dB	≤1.0
Wavelength Dependent Loss	dB	≤0.40
Polarization Dependent Loss	dB	≤0.05
Temperature Dependent Loss	dB	≤0.20
Return Loss	dB	SM≥50 MM≥30
Cross Talk	dB	SM≥55 MM≥35
Switch Time	ms	≤8
Repeatability	dB	≤±0.02
Durability	times	≥10 ⁷
Operating Voltage	V	3 or 5
Switch Type		Non-Latching/Latching
Operating Temperature	℃	-20~+70
Storage Temperature	℃	-40~+85
Optical Power	mW	≤500
Dimension	mm	52.7.0L×37.2W×10.0H

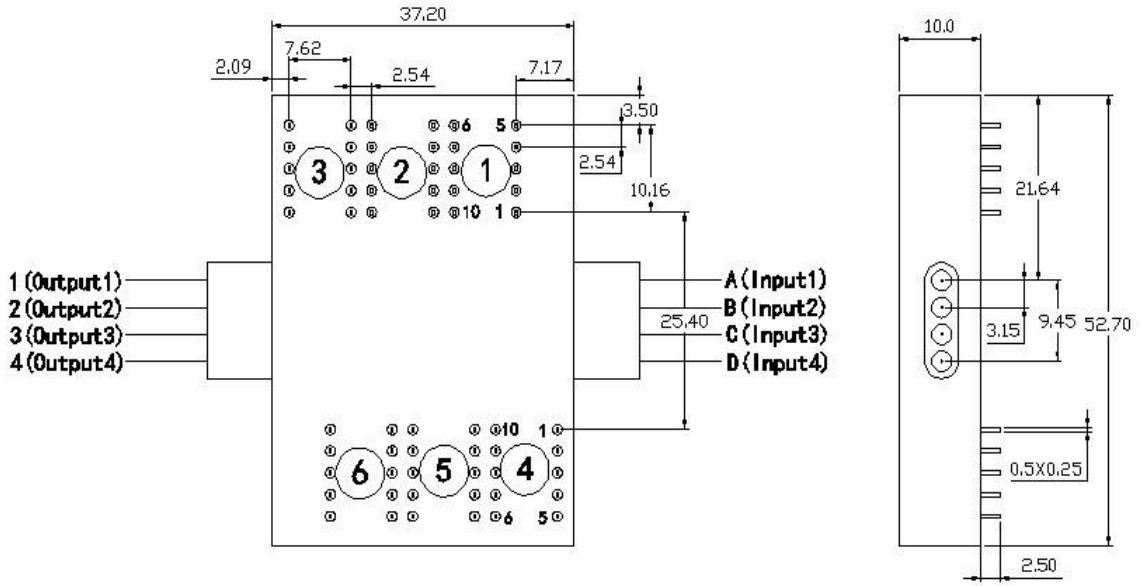
Pins

1	A-1、B-2、C-3、D-4	7	A-2、B-1、C-3、D-4
2	A-1、B-2、C-4、D-3	8	A-2、B-1、C-4、D-3
3	A-1、B-3、C-2、D-4	9	A-2、B-3、C-1、D-4
4	A-1、B-3、C-4、D-2	10	A-2、B-3、C-4、D-1
5	A-1、B-4、C-2、D-3	11	A-2、B-4、C-1、D-3
6	A-1、B-4、C-3、D-2	12	A-2、B-4、C-3、D-1
13	A-3、B-1、C-2、D-4	19	A-4、B-1、C-2、D-3
14	A-3、B-1、C-4、D-2	20	A-4、B-1、C-3、D-2
15	A-3、B-2、C-1、D-4	21	A-4、B-2、C-1、D-3
16	A-3、B-2、C-4、D-1	22	A-4、B-2、C-3、D-1
17	A-3、B-4、C-1、D-2	23	A-4、B-3、C-1、D-2
18	A-3、B-4、C-2、D-1	24	A-4、B-3、C-2、D-1

Optical Route



Dimension



Ordering Information

Mode	Wavelength	Voltage Type	Control Model	Fiber Type	Fiber Diameter	Fiber Length	Connector
S=SM	85=850nm	3=3V	L=Latching	5=50/125	25=250um	1=1m	0=None
M=MM	13/15=1310/1550 nm	5=5V	N=Non-Latching	6=62.5/125	90=900um	2=1.5m	1=FC/PC
	X=Others			9=9/125	20=2.0mm	X=Others	2=FC/APC
				X=Others	30=3.0mm		3=SC/PC
					X=Others		4=SC/APC
							5=ST/PC
							6=ST/APC
							7=LC/PC
							8=LC/APC
							X=Others